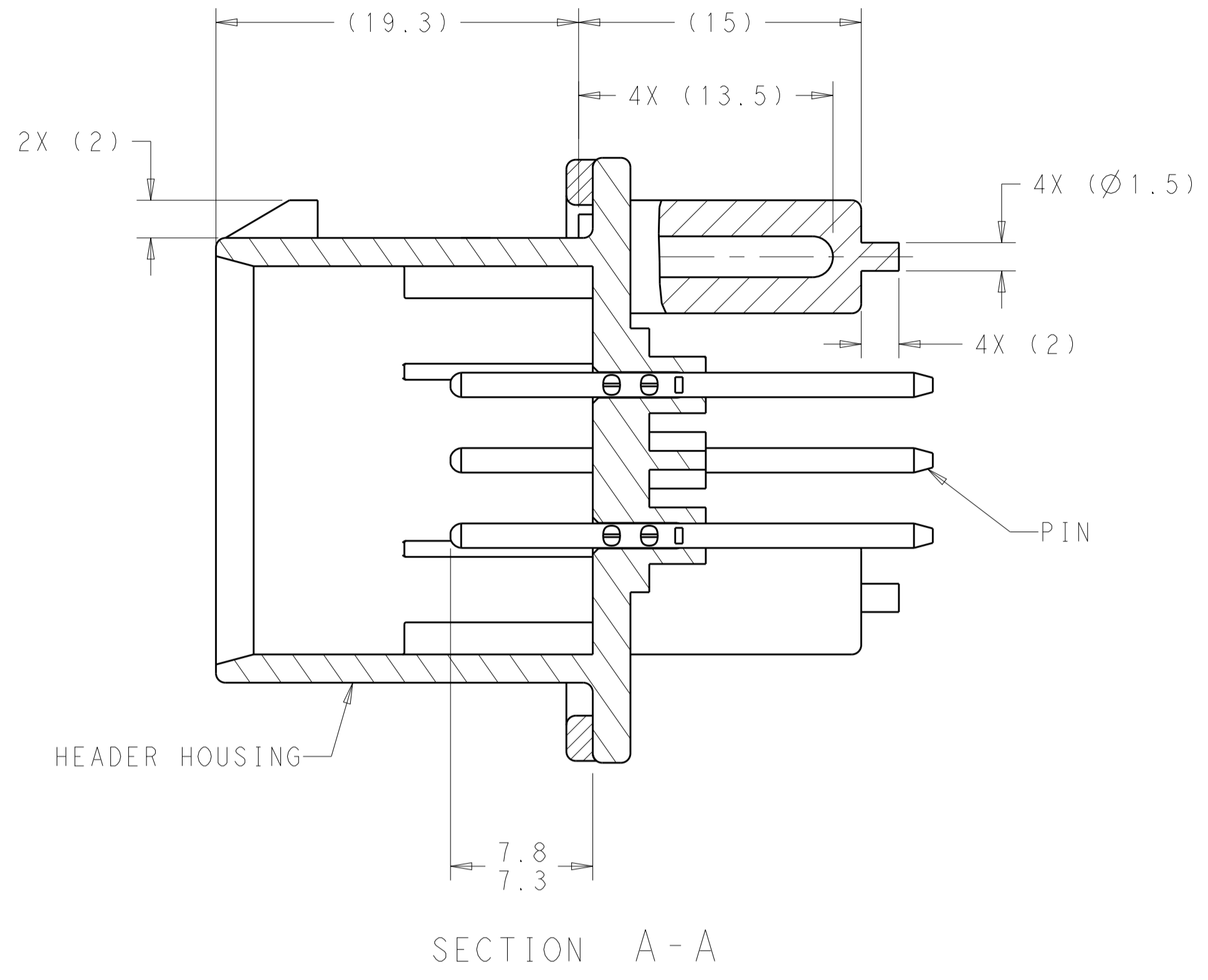
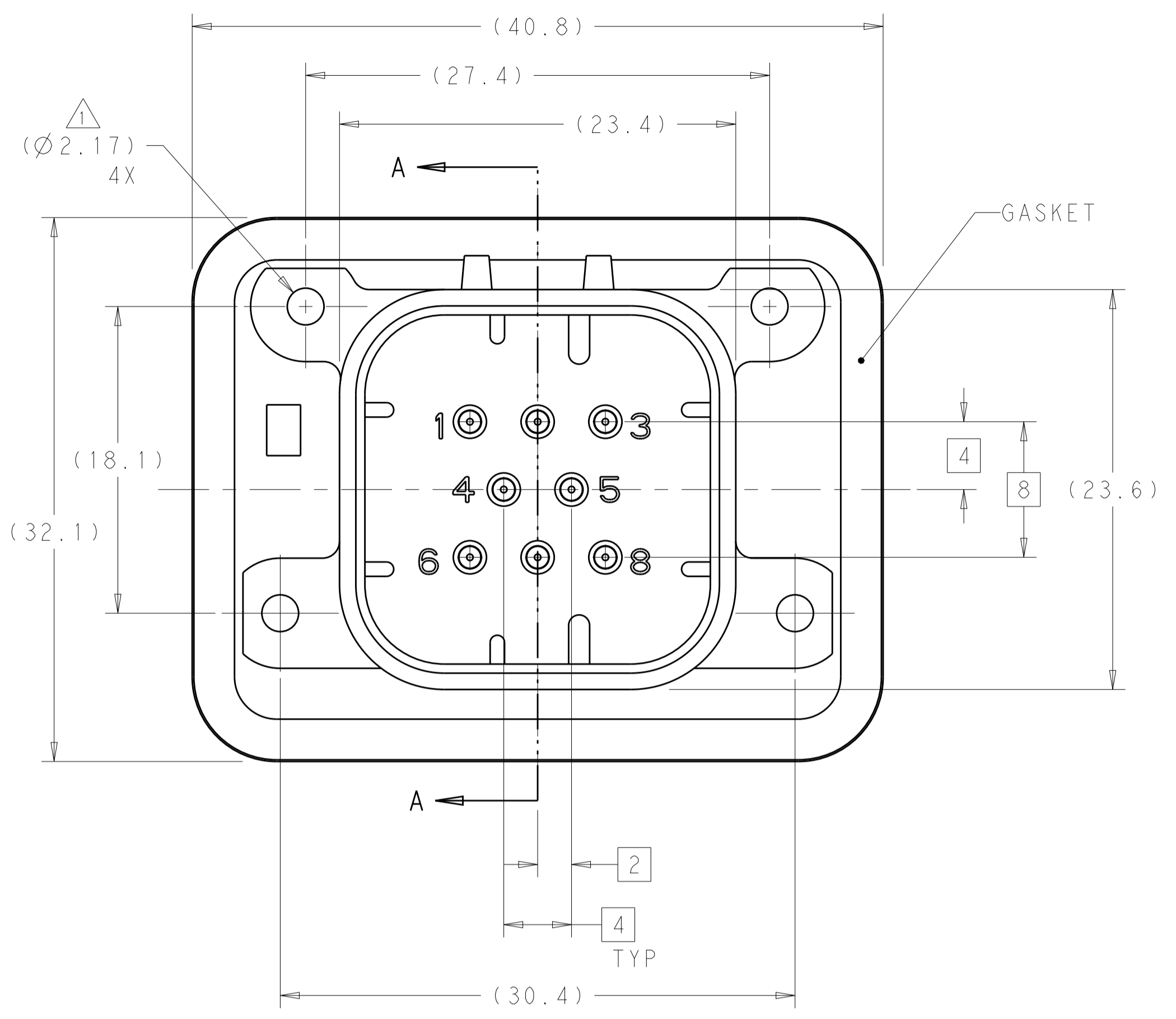
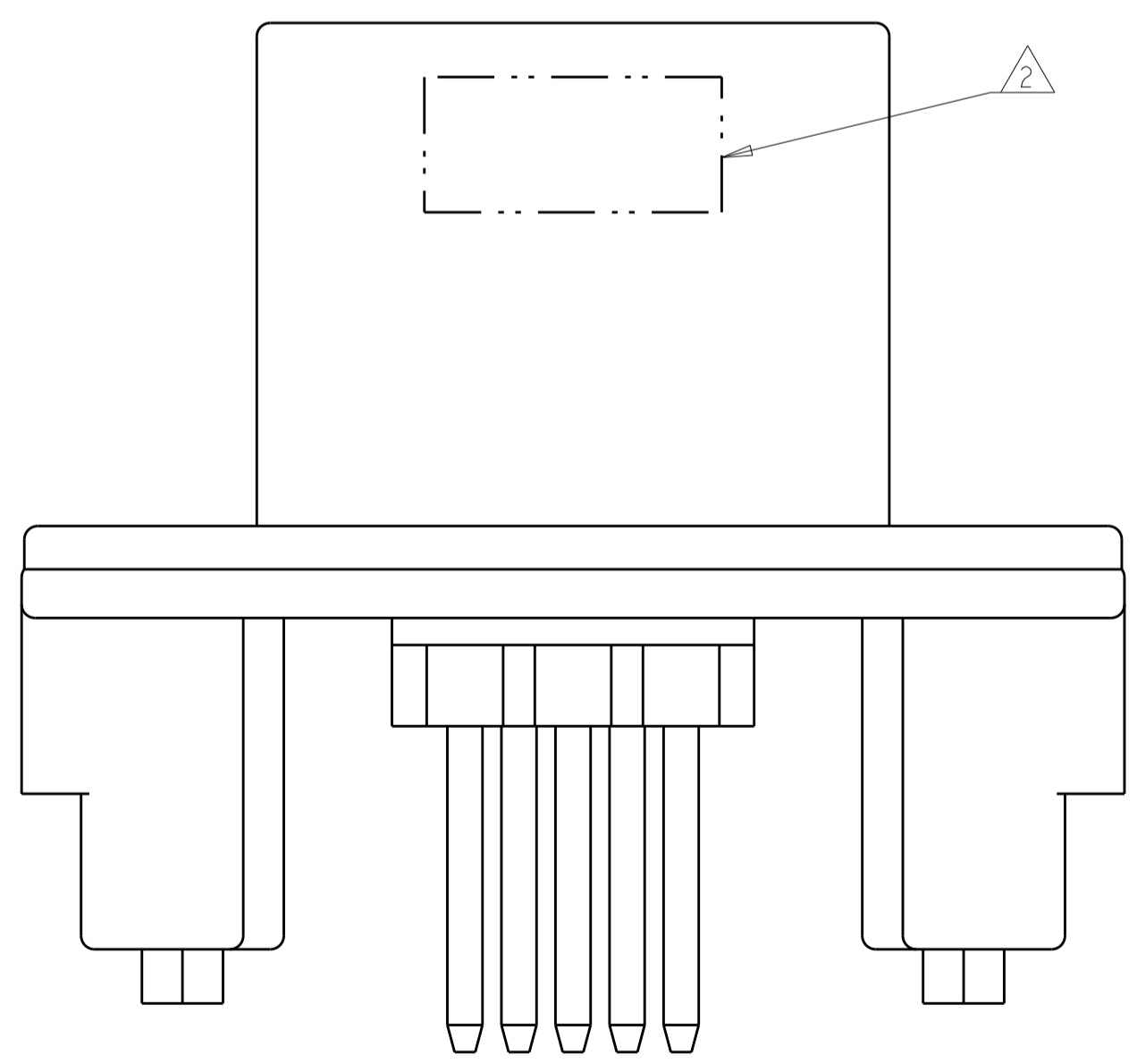


REVISIONS				
P.	LTH	DESCRIPTION	DATE	APP'D
B8		REVISED PER ECO-15-003872	25MAR2015	DD DS
B9		REVISED PER ECO-16-003526	09MAR2016	JM DS



- 1 ACCEPTS #3 SELF TAPPING THREAD FORMING SCREWS OR METRIC EQUIVALENT. DRIVE TO 0.6-0.8 N-m
- 2 DATE CODE TO BE BRANDED IN THIS LOCATION PER TE SPEC 102-60. FIRST 2 DIGITS = YEAR, SECOND 2 DIGITS = WEEK, LAST DIGIT = DAY.
- 3 MATERIALS: GASKET - SILICONE
 HEADER HOUSING - GLASS FILLED PBT
 PINS - TIN OR GOLD PLATED BRASS
- 4 HOUSING COLORS ARE MECHANICALLY KEYED TO MATE ONLY WITH IDENTICALLY COLORED PLUG ASSEMBLIES.
- 5. HEADER MATES TO PLUG ASSEMBLY 776286 WHICH USES REELED TERMINAL 770520 OR LOOSE PIECE TERMINAL 770854

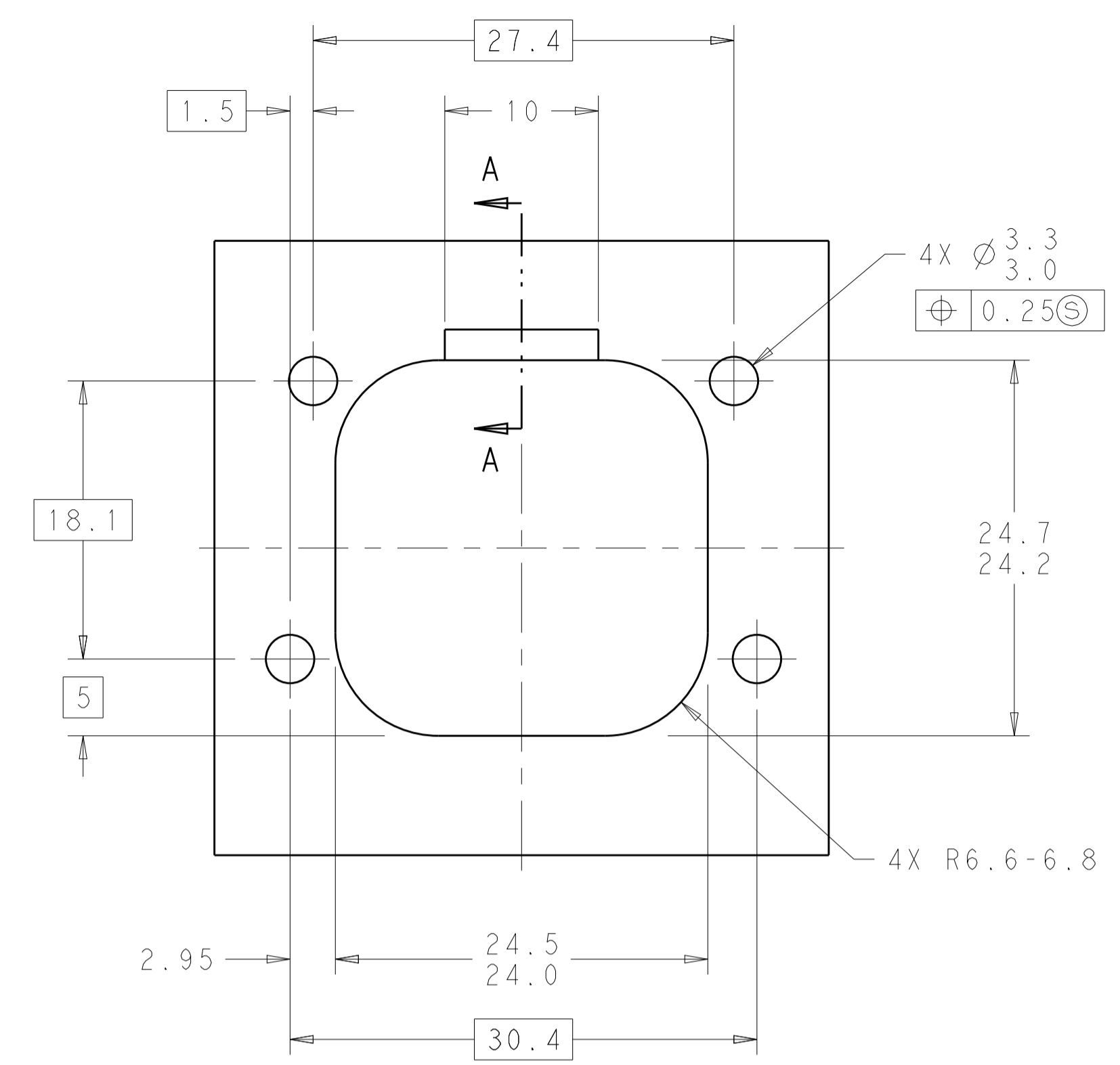


776276-1 & 1-776276-1 SHOWN

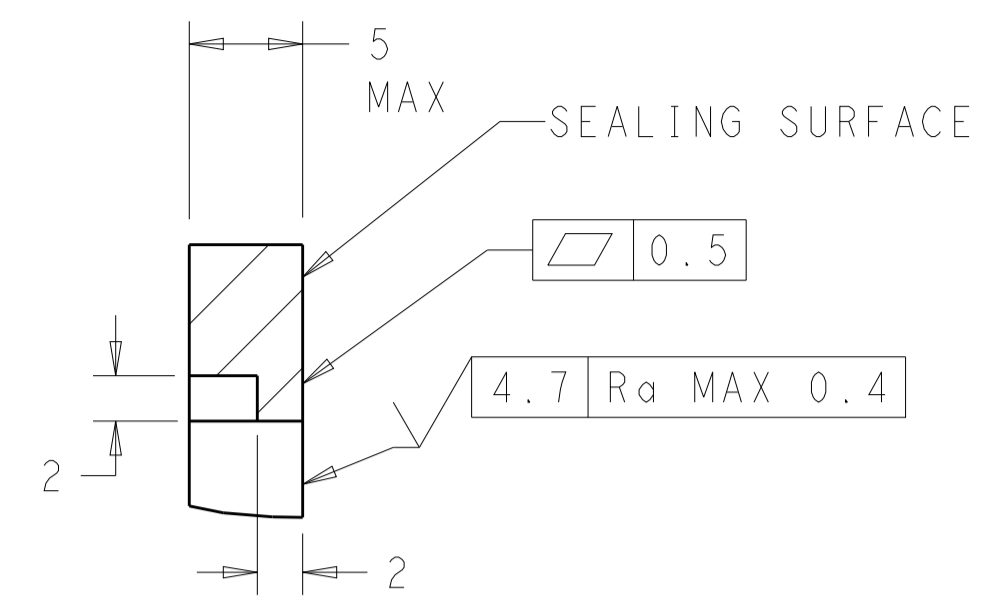
NATURAL	DURAGOLD	1-776276-2
BLACK	DURAGOLD	1-776276-1
NATURAL	TIN	776276-2
BLACK	TIN	776276-1
HEADER COLOR	PLATING	PART NUMBER

THIS DRAWING IS A CONTROLLED DOCUMENT.		OWN: D. STRAUSSER 21 JAN 2010	TE Connectivity
DIMENSIONS: mm		CHK: D. STRAUSSER 22 MAR 2010	
TOLERANCES UNLESS OTHERWISE SPECIFIED:		APVD: D. STRAUSSER 27 APR 2010	NAME: ASSEMBLY, HEADER 8 POSITION VERTICAL, AMPSEAL WITH FLANGE SEAL
0 PLC ±0.2		PRODUCT SPEC: 108-1329	
1 PLC ±0.13		APPLICATION SPEC: 114-16016	SIZE: A1
2 PLC ±0.1		WEIGHT: -	CAGE CODE: 00779
3 PLC ±0.1		CUSTOMER DRAWING	DRAWING NO: 776276
ANGLES ±1°		SCALE: 4:1	SHEET 1 OF 2
FINISH: 3		RESTRICTED TO: B9	REV: B9

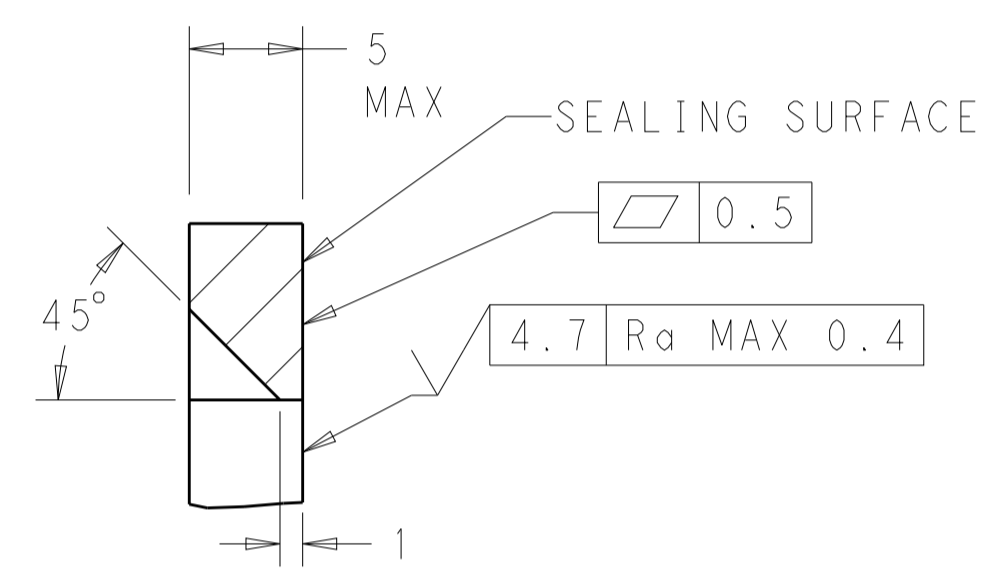
REVISIONS				
P.	LTN.	DESCRIPTION	DATE	APVD.
-	-	SEE SHEET 1	-	-



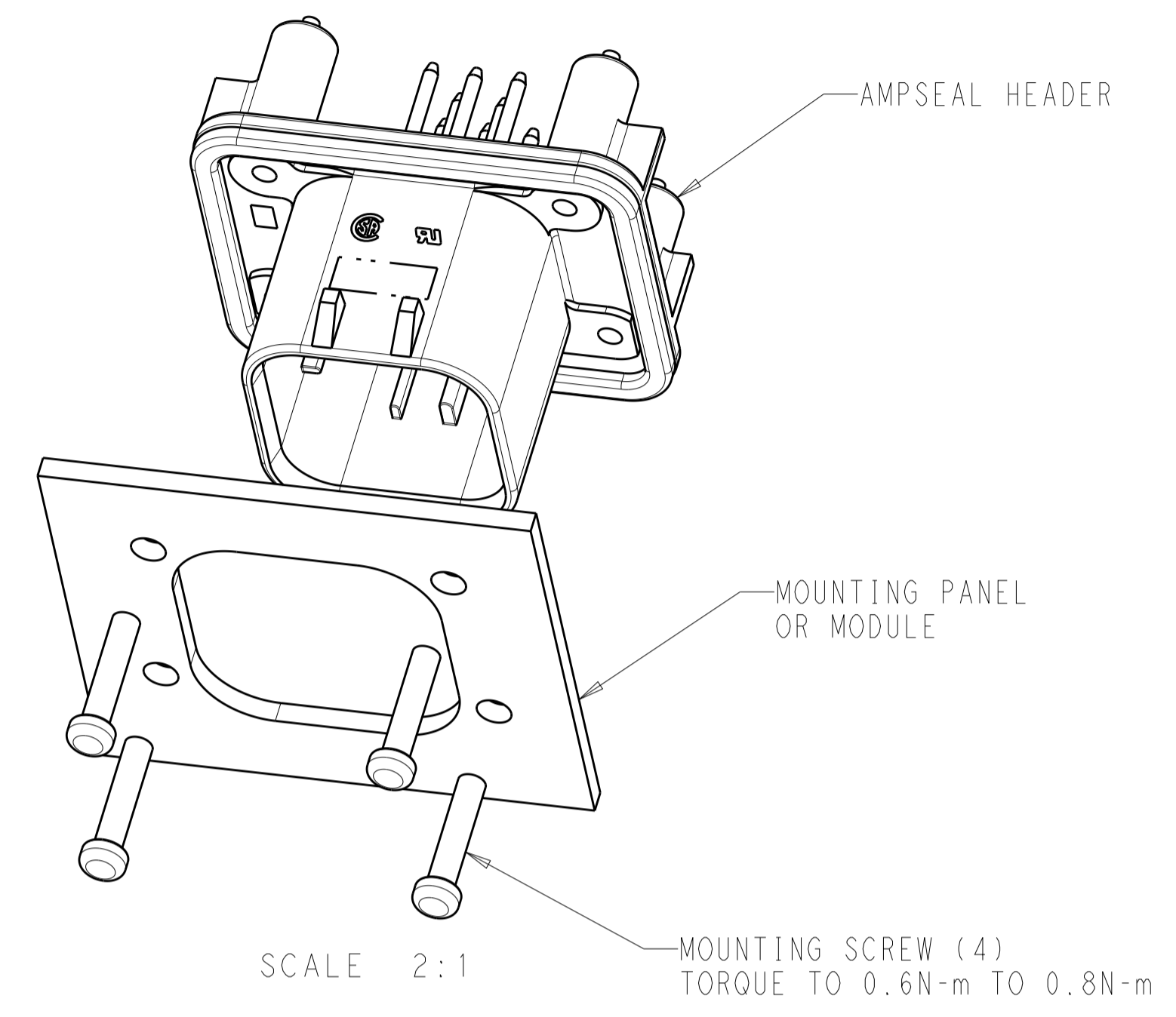
RECOMMENDED MOUNTING HOLE LAYOUT FOR 5.0 MAX THICK PANEL



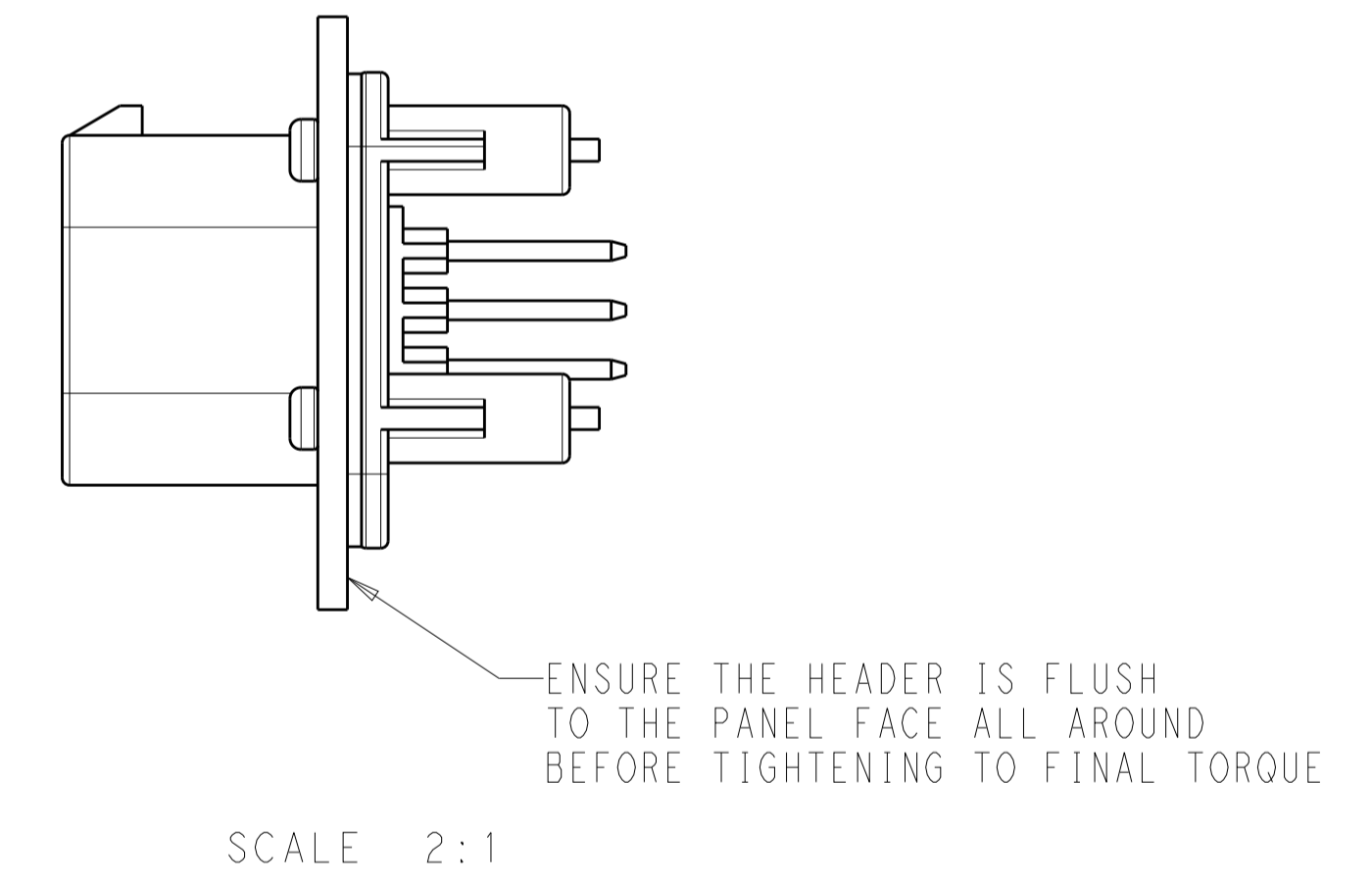
SECTION A-A
OPTIONAL CONSTRUCTION IF PANEL THICKNESS IS GREATER THAN 2.0



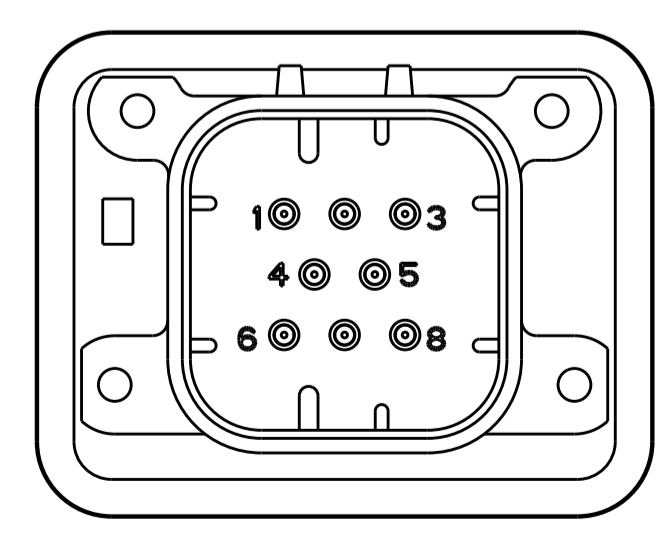
SECTION A-A
OPTIONAL CONSTRUCTION IF PANEL THICKNESS IS GREATER THAN 2.0



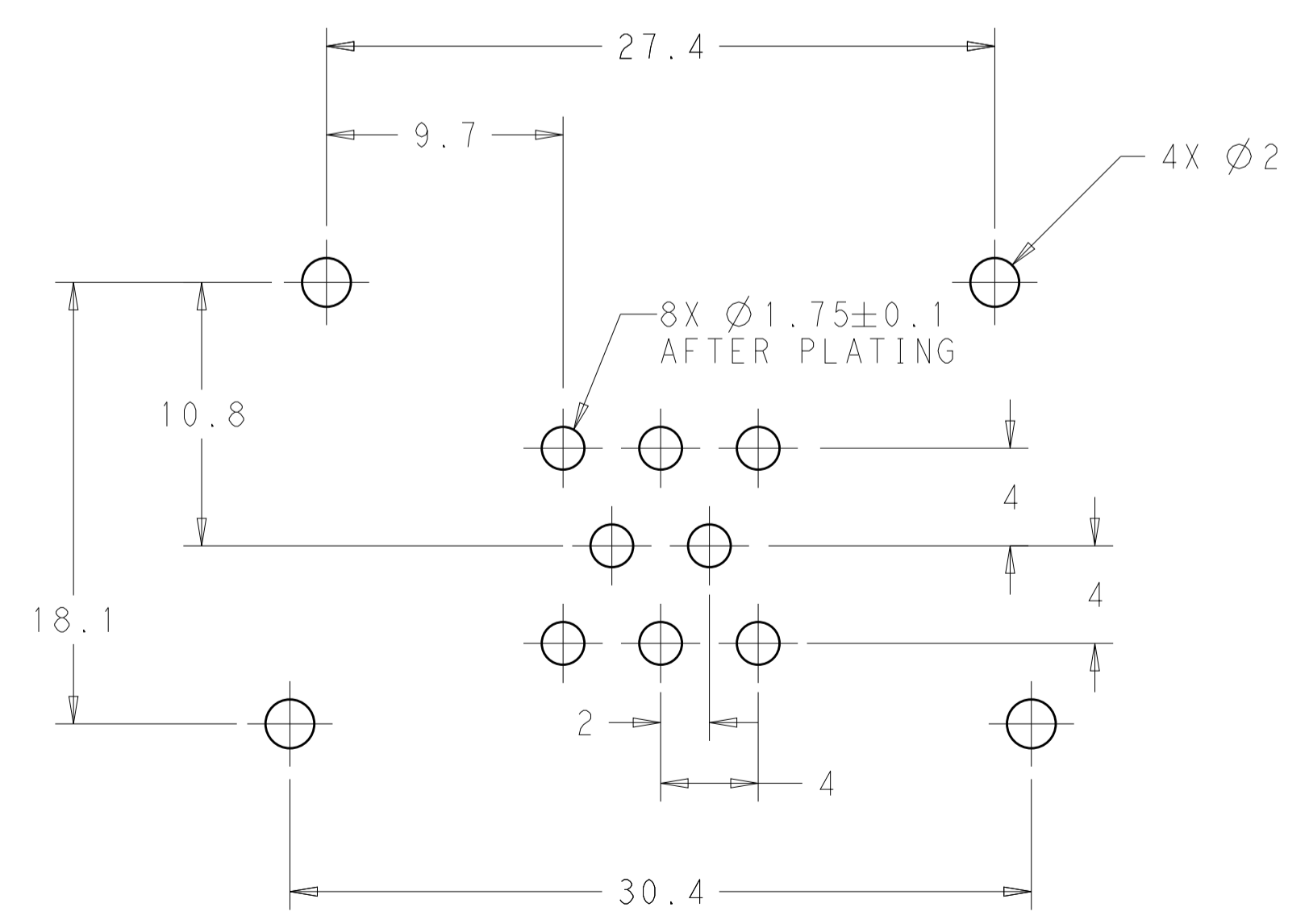
SCALE 2:1



SCALE 2:1



776276-2 & 1-776276-2
KEY LOCATION
SCALE 2:1



RECOMMENDED P.C. BOARD LAYOUT FOR 1.57 THICK P.C. BOARD

THIS DRAWING IS A CONTROLLED DOCUMENT.		DWN: D. STRAUSSER 21 JAN 2010 CHK: D. STRAUSSER 22 MAR 2010 APVD: D. STRAUSSER 27 APR 2010	TE Connectivity	
DIMENSIONS:	TOLERANCES UNLESS OTHERWISE SPECIFIED:	PRODUCT SPEC	NAME	
mm	0 PLC ±0.2 1 PLC ±0.13 2 PLC ±0.13 3 PLC ±0.13 4 PLC ±0.13 ANGLES ±1°	108-1329	ASSEMBLY, HEADER 8 POSITION VERTICAL, AMPSEAL WITH FLANGE SEAL	
MATERIAL:	FINISH:	APPLICATION SPEC	SIZE	CAGE CODE
		114-16016	A100779	C=776276
		WEIGHT	RESTRICTED TO	
			-	
		CUSTOMER DRAWING	SCALE	SHEET
			4:1	2 OF 2
				REV B9